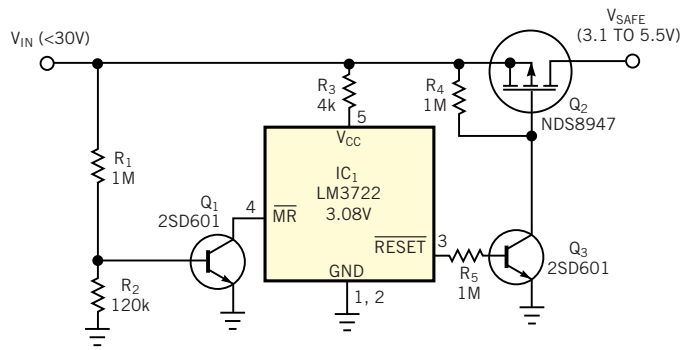


Figure 1



This LM3722 configuration connects only safe voltages to sensitive ICs.