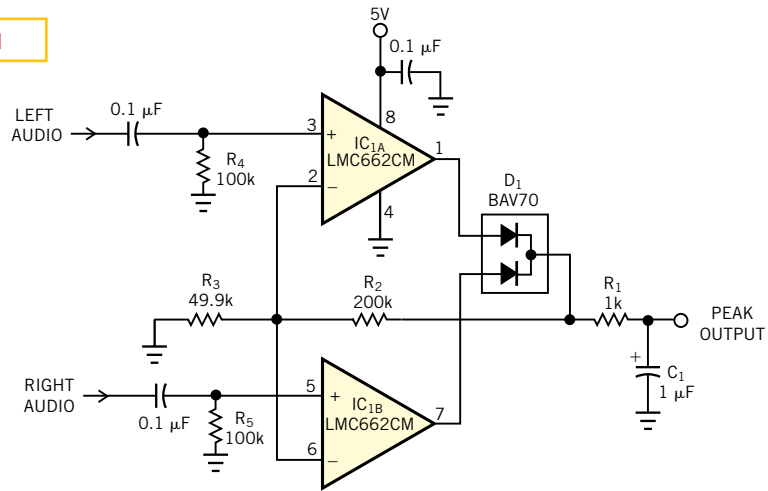


Figure 1



This simple circuit provides peak detection and clipping indication for a PC's stereo channels.