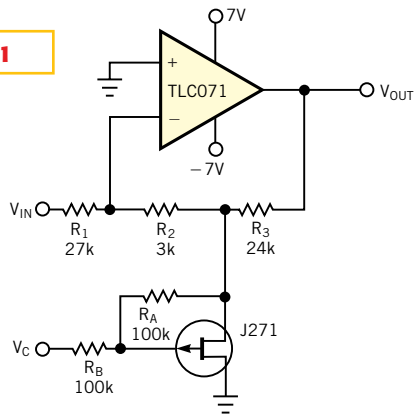


**Figure 1**



The drain-source resistance of the FET controls the gain of the op-amp stage.