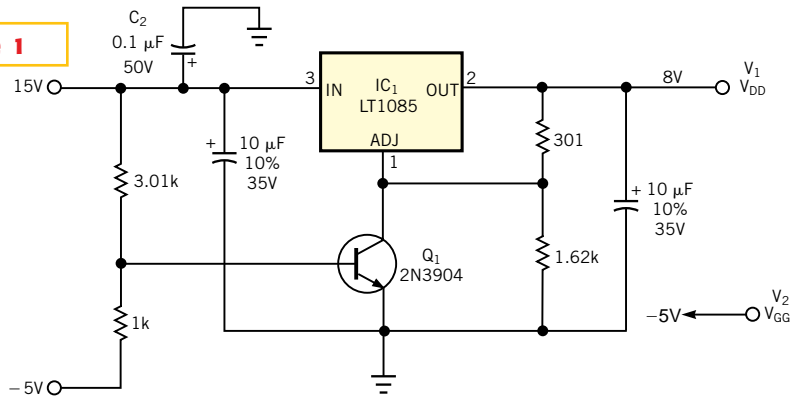


Figure 1



In disabled mode, this circuit supplies a potentially damaging 1.25V to the drain of a GaAs FET or a MMIC.