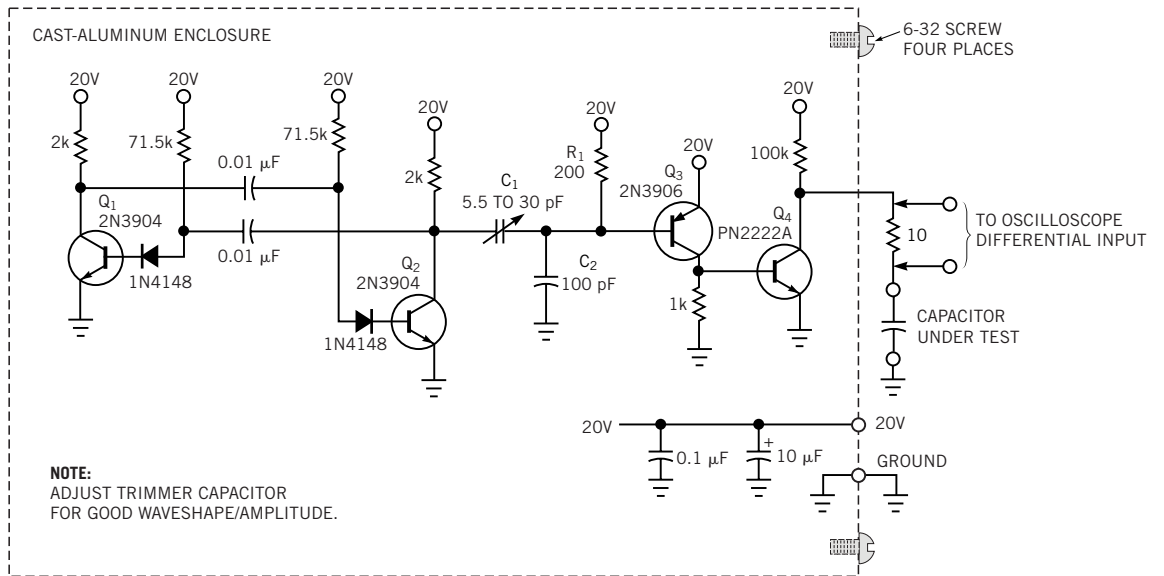


**Figure 1**



Test the pulse characteristics of bypass capacitors using this simple circuit.