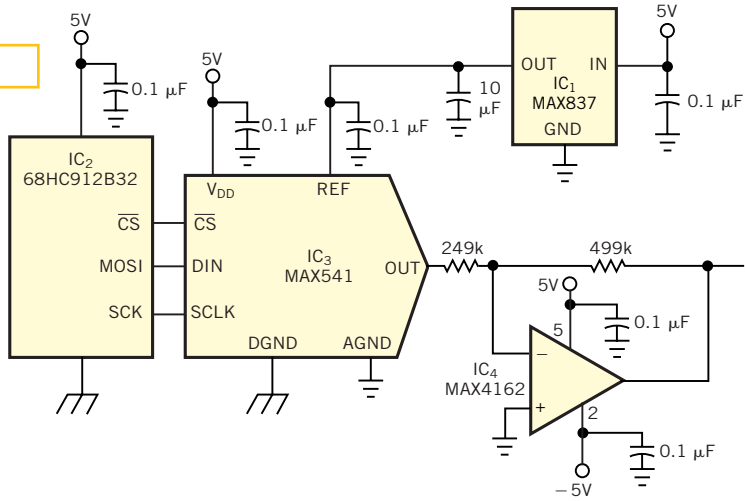


Figure 1



This compact circuit allows microcontroller IC₂ to generate a variable negative voltage.