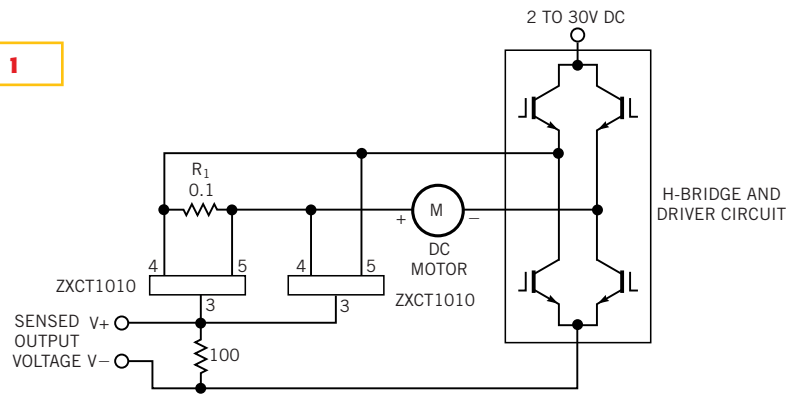


Figure 1



With this simple circuit, you can measure the currents in a dc servo motor.