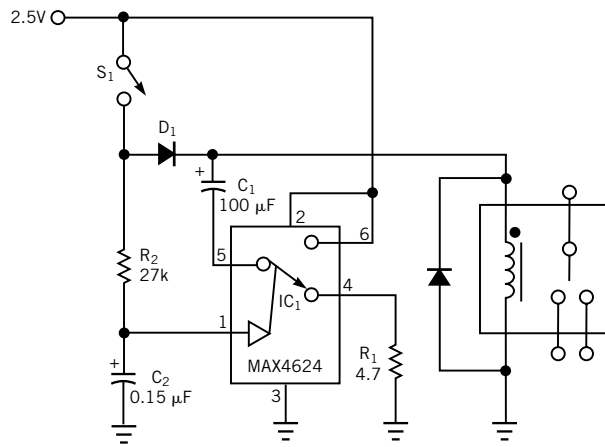


Figure 1



By using an analog switch, you can reduce a relay's power consumption.