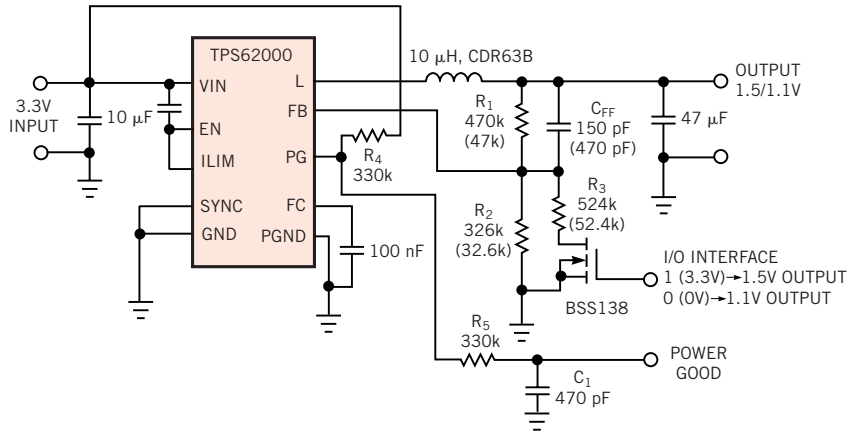


Figure 1



A typical DVS (dynamic-voltage-scaling) circuit uses an off-the-shelf dc/dc converter to generate the adjustable supply voltage.