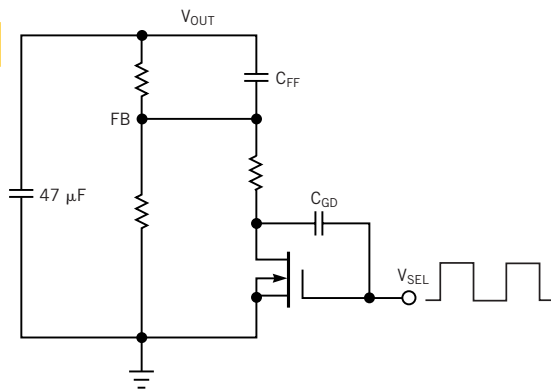


Figure 3



You can reduce the influence of the gate-drain capacitor, C_{GD} , by increasing the value of the feedback capacitor, C_{FF} .