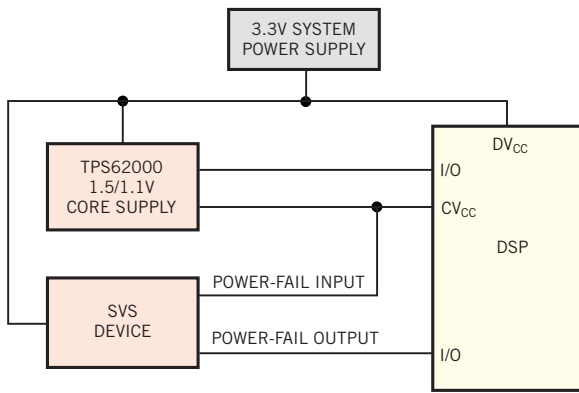


**Figure 5**



**An SVS (supply-voltage-supervisor) circuit monitors voltage amplitude to detect core-voltage power failures.**