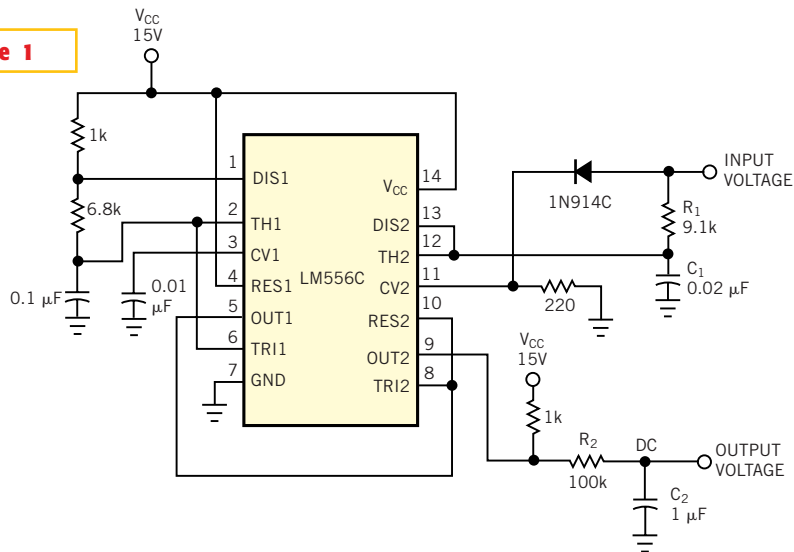


Figure 1



A simple 556 timer depends on RC charging to form a logarithmic amplifier.