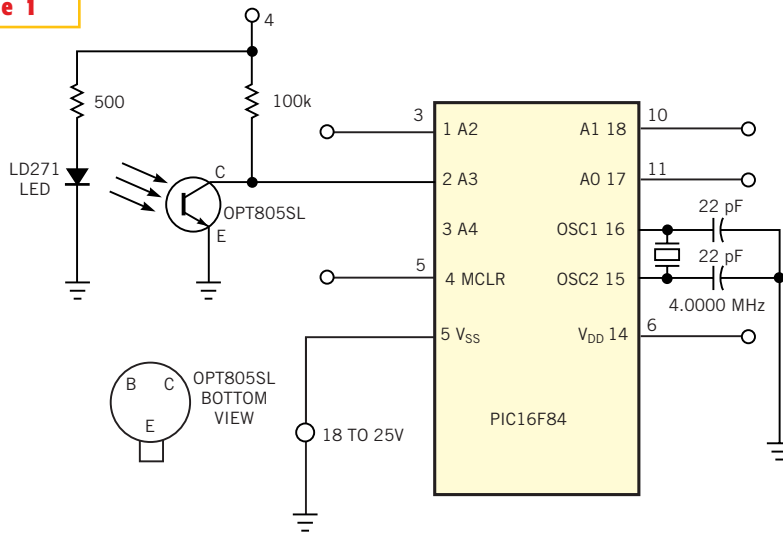


Figure 1



This zero-power photogate allows you to use a PC to generate precise timing intervals.