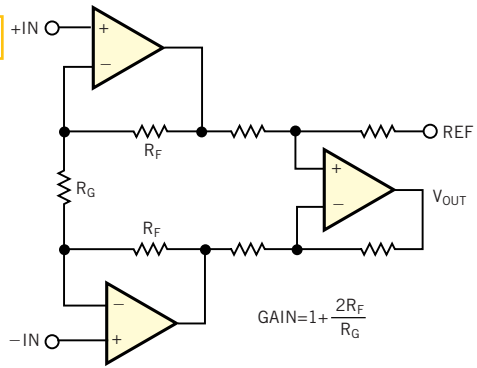


**Figure 1**



**The classic three-op-amp instrumentation amplifier does not provide differential outputs.**