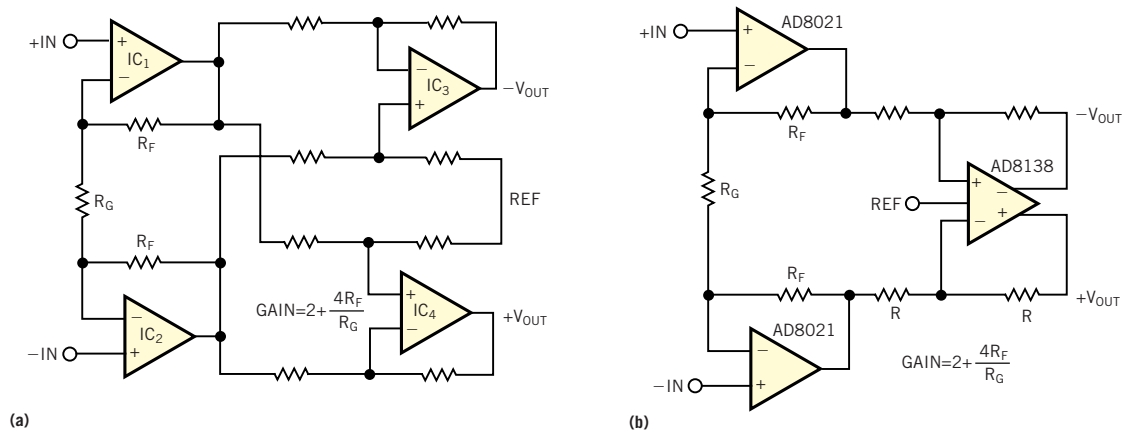


Figure 2



The four-op-amp instrumentation amplifier (a) provides differential outputs but requires many matched resistors. A differential-output op amp (b) reduces the IC count in Figure 2a to three.