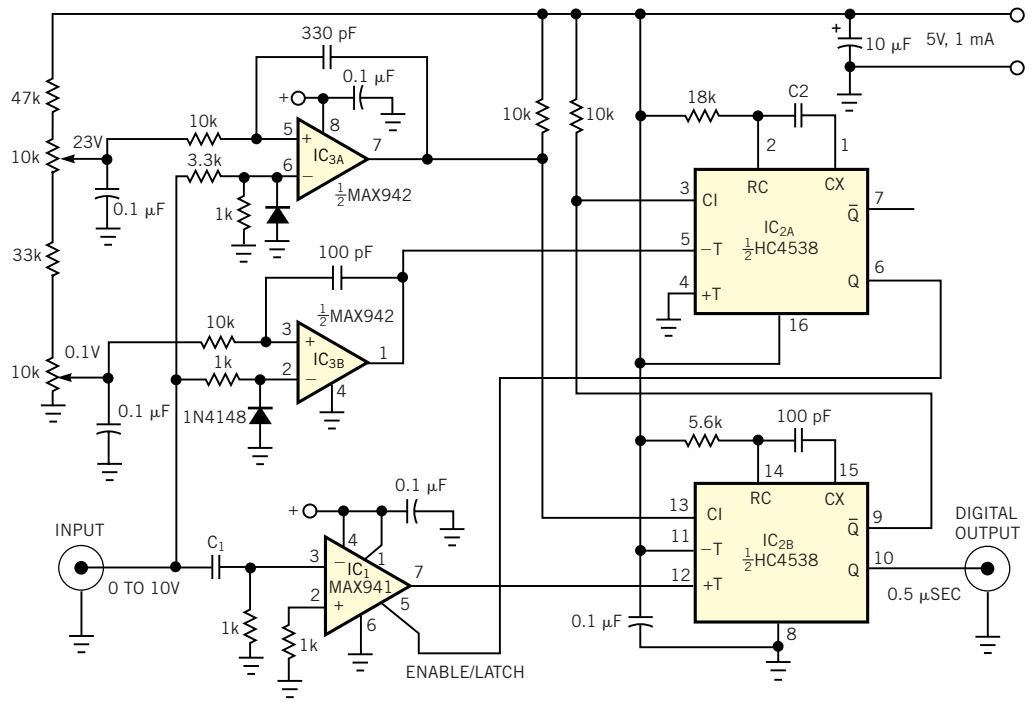


Figure 2



A discriminator and a zero-crossing detector eliminates "walking-time" error for impulsive events.