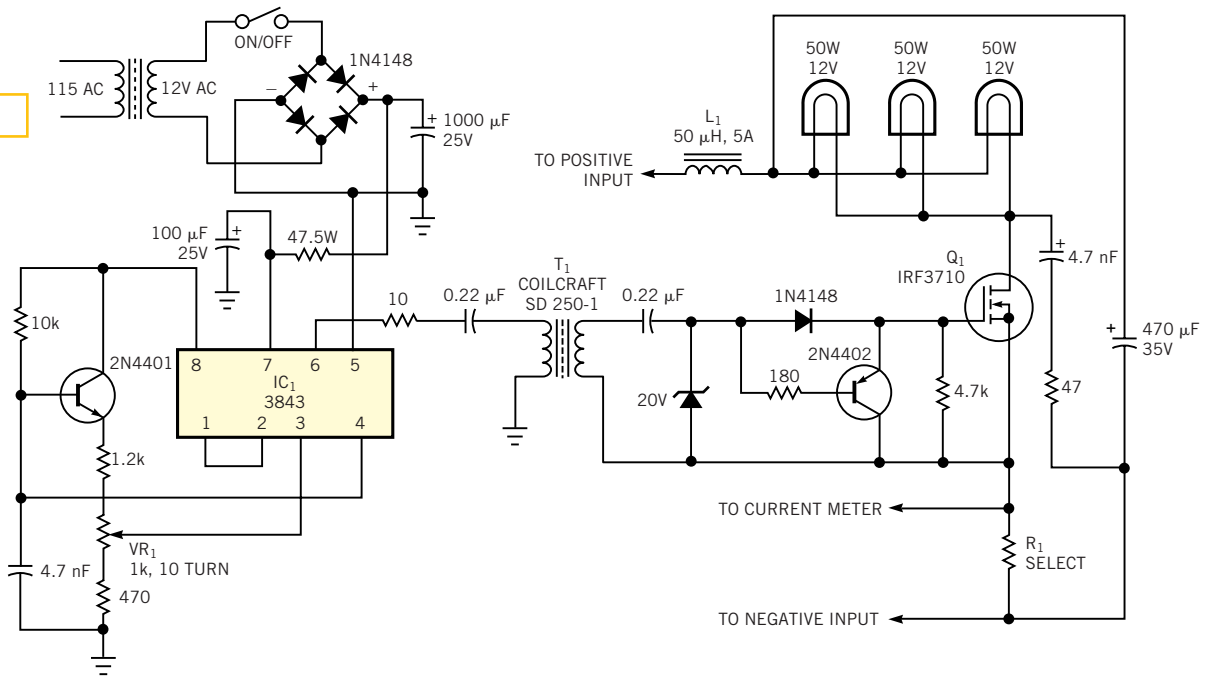


**Figure 1**



**Incandescent light bulbs provide convenient loads for testing power supplies.**