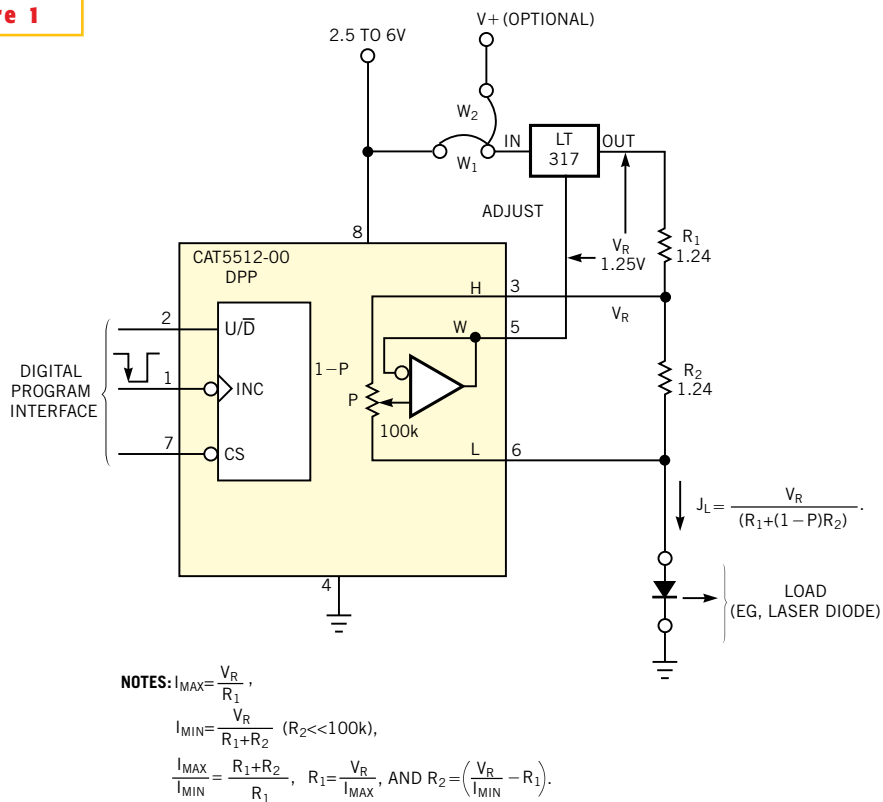


Figure 1



This digitally programmable current source is suitable for driving VCSELs in communications equipment.