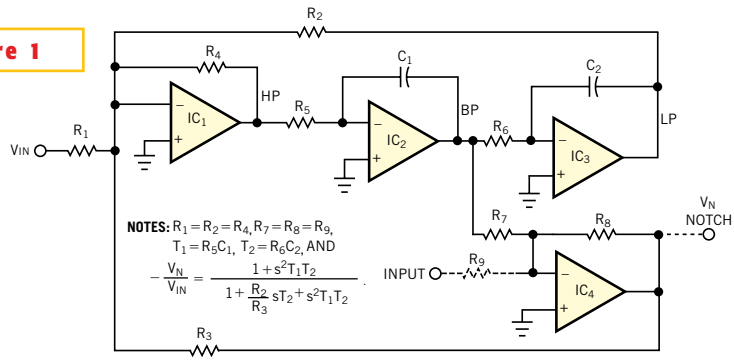


**Figure 1**



Changing connections makes the depth of the notch depend only on the gain of the integrating amplifiers.