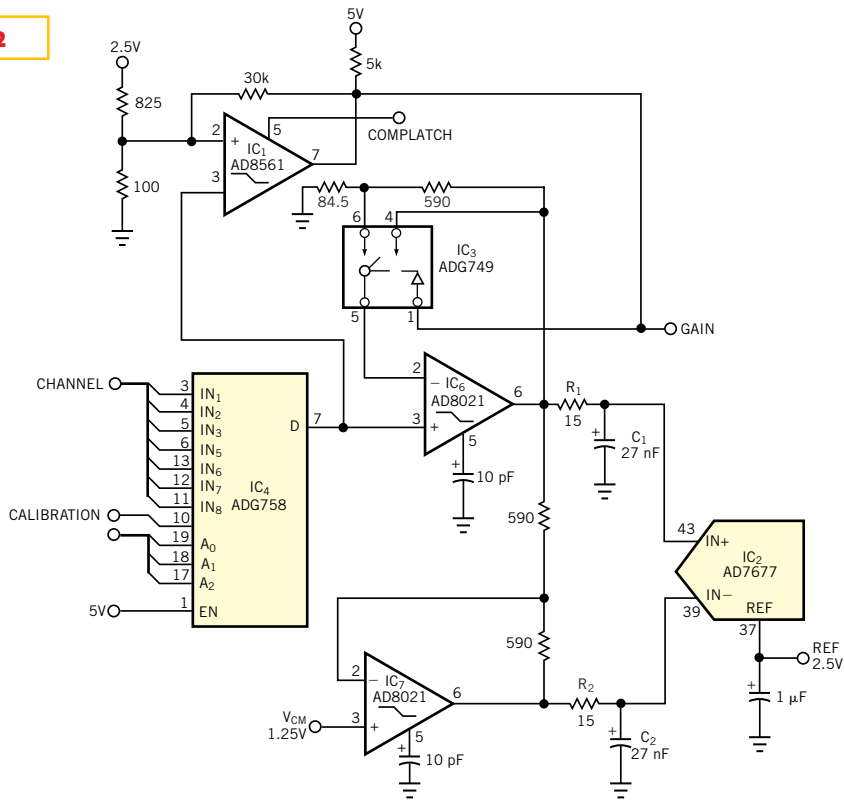


Figure 2



This system provides 19-bit accuracy by combining a programmable-gain amplifier with a 16-bit ADC.