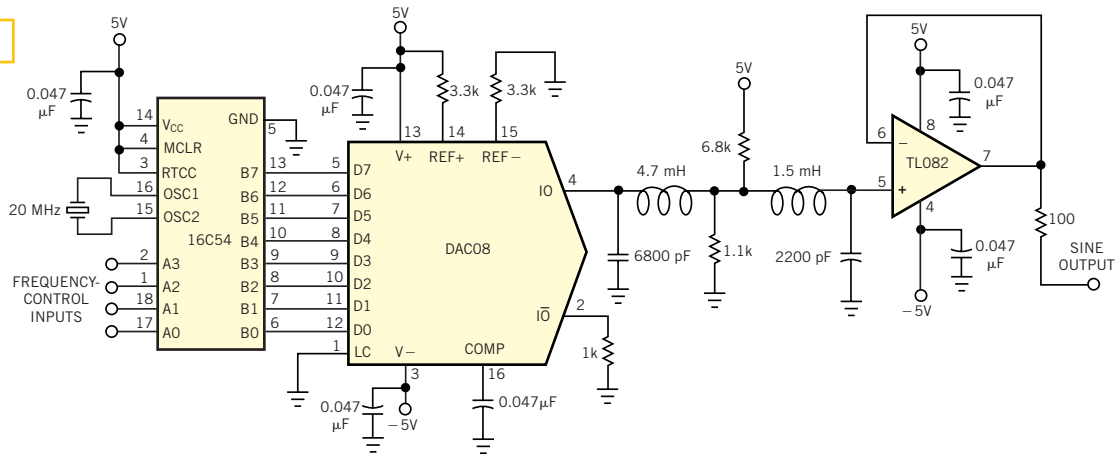


Figure 1



An inexpensive microcontroller and DAC emulate a numerically controlled oscillator.