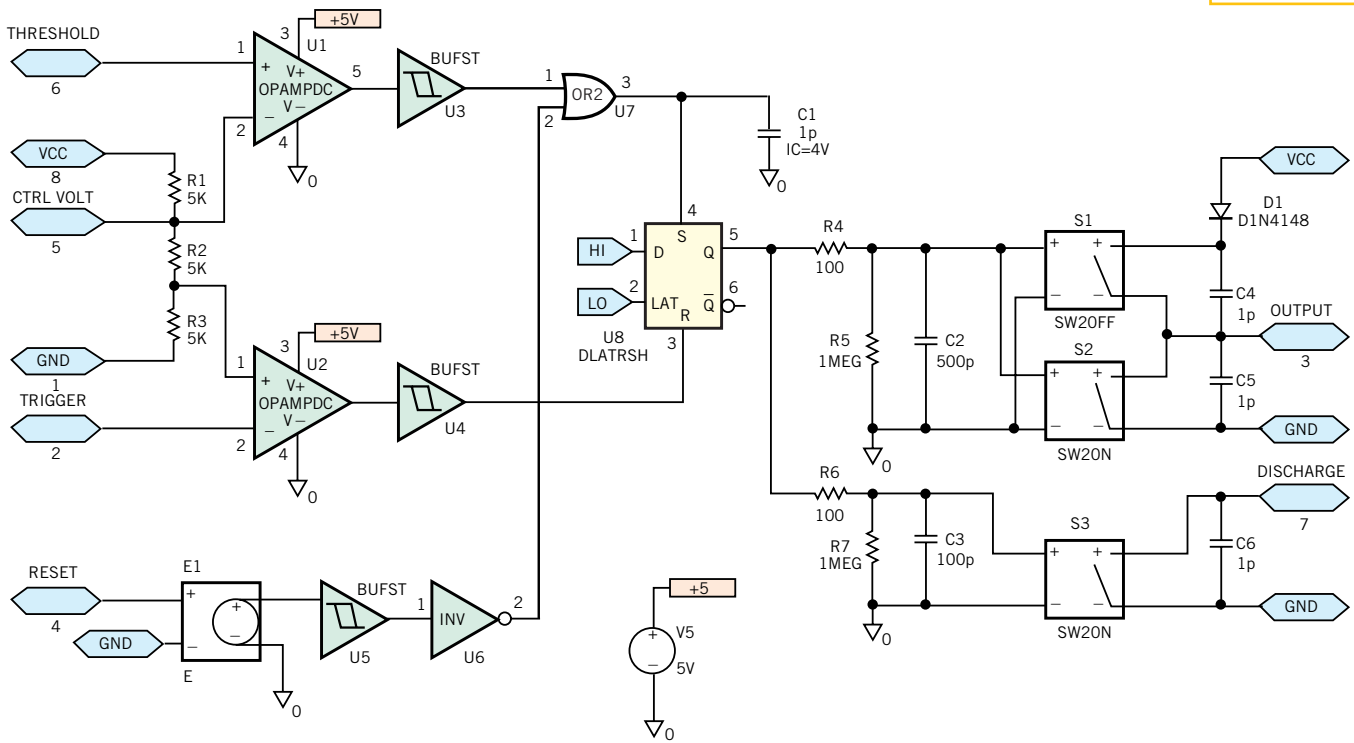


(a)

**Figure 2**



(b)

A block diagram of the classic 555 timer serves as a starting point for building a macromodel (a). The final macromodel reproduces the functions in the block diagram using functional building blocks, such as the dc op-amp macromodel OPAMPDC, which function as the comparators (b).