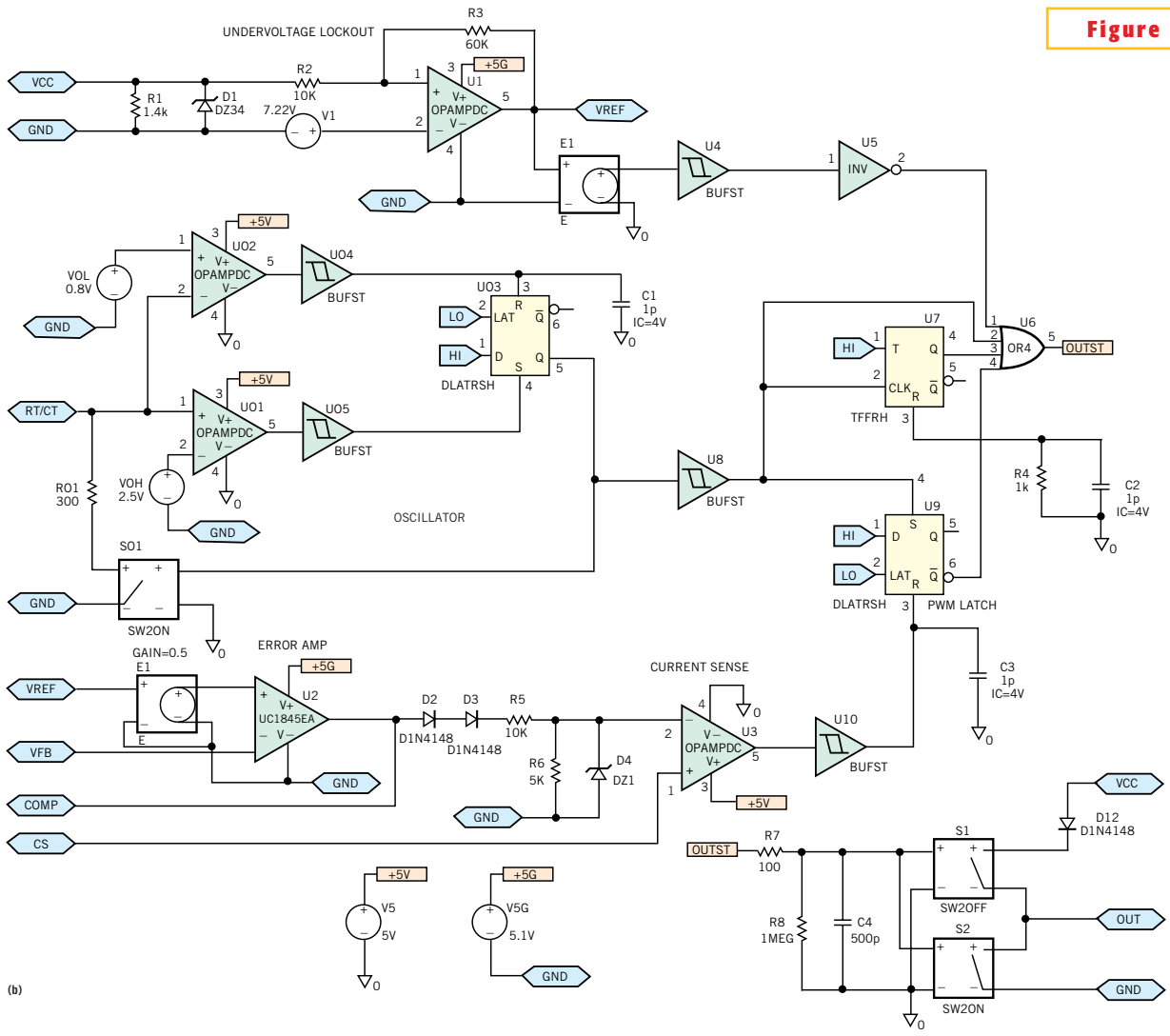


(a)

Figure 4



(b)

Based on the manufacturer's specifications and block diagram of the UC1845 PWM IC (a), the finished model uses most of the same concepts as in the 555 macromodel (b).