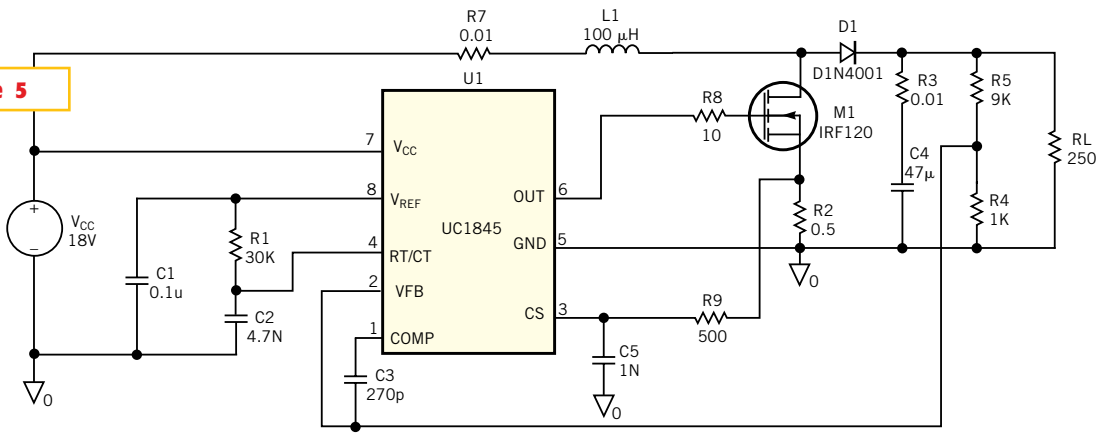
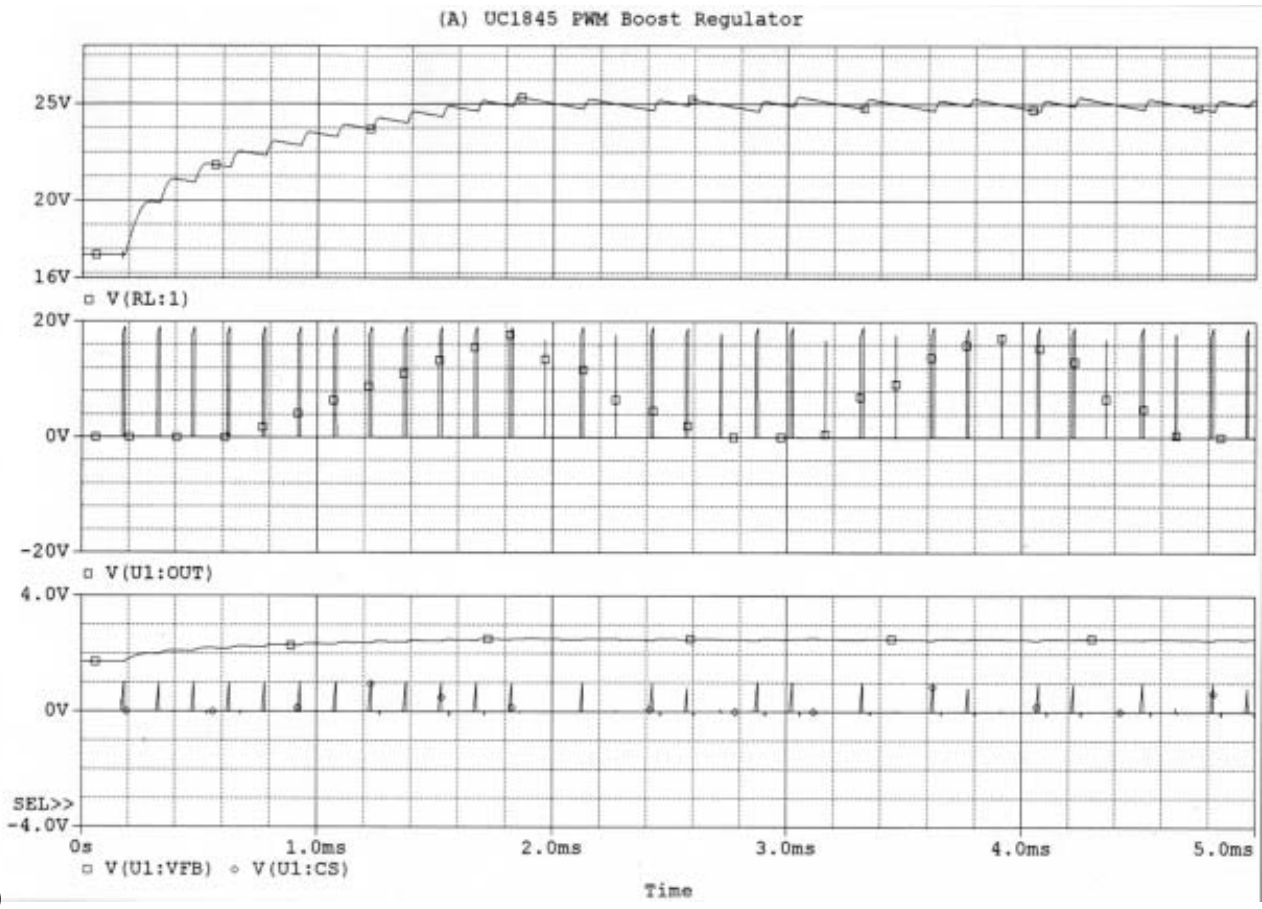


**Figure 5**



(a)



(b)

In a boost-regulator circuit using the UC1845 macromodel, the UC1845 output-pulse width (middle plot) adjusts (b) according to the voltage- and current-sense feedback (bottom plot).