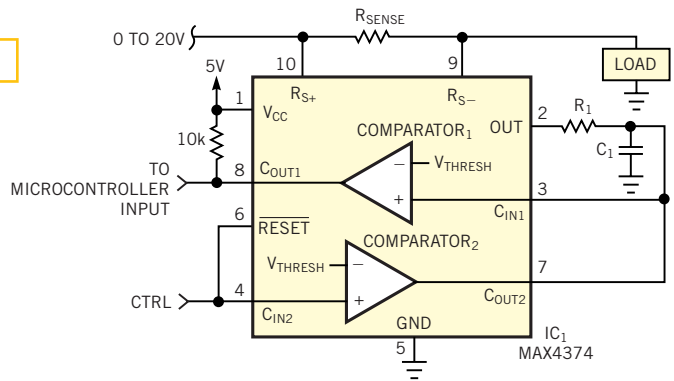


**Figure 1**



The duration of a negative-going pulse at  $C_{OUT1}$  is proportional to the current flowing through  $R_{SENSE}$ .