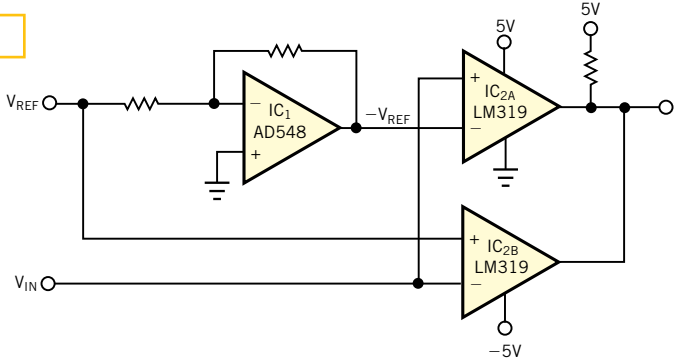


**Figure 1**



**This traditional window-comparator circuit suffers from limited input range.**