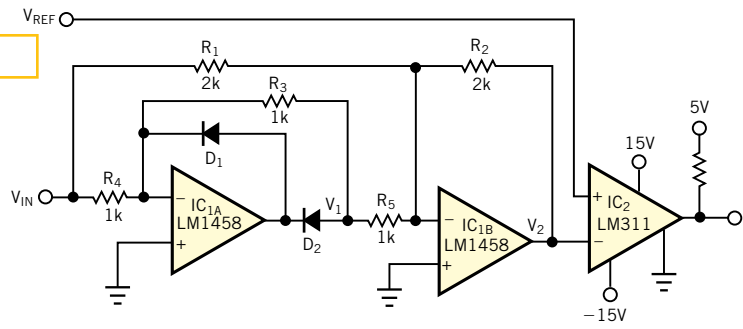


Figure 2



An absolute-value comparator circuit offers a wide input range and improved dc performance.