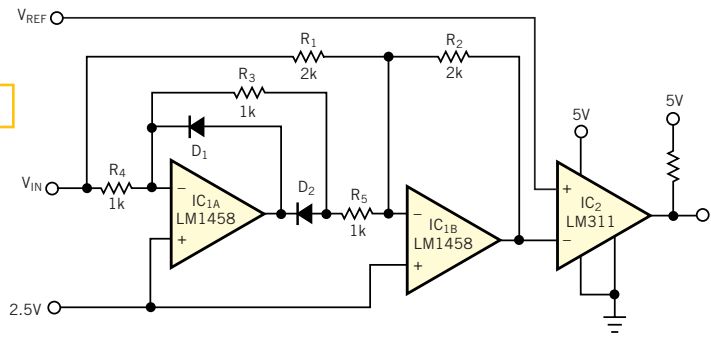


Figure 4



You can modify the circuit in Figure 2 to work with a single supply.