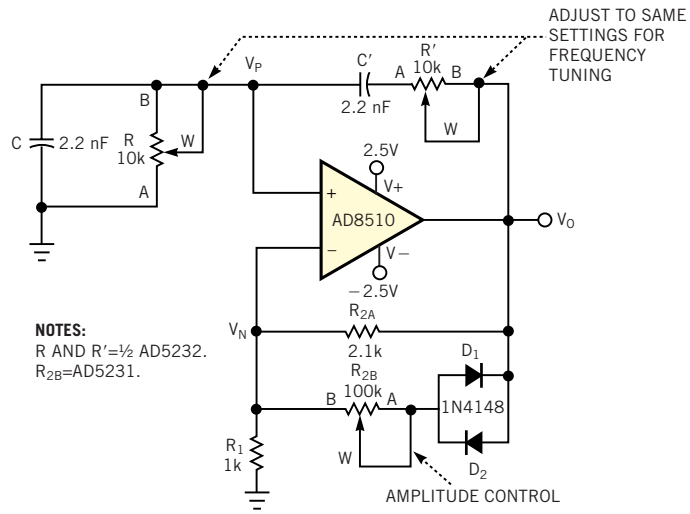


**Figure 1**



This Wien-bridge oscillator uses digital potentiometers to provide independent settings of amplitude and frequency.