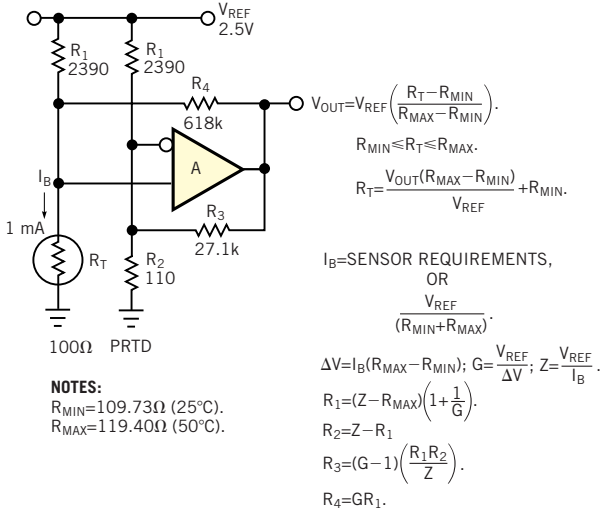


Figure 1



This circuit allows you to optimize resolution for sensors using resistive elements.