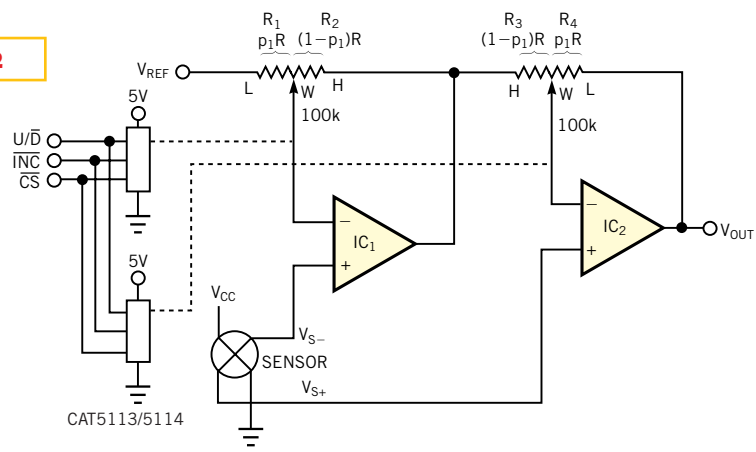


Figure 2



An improved circuit features programmability and fewer components.