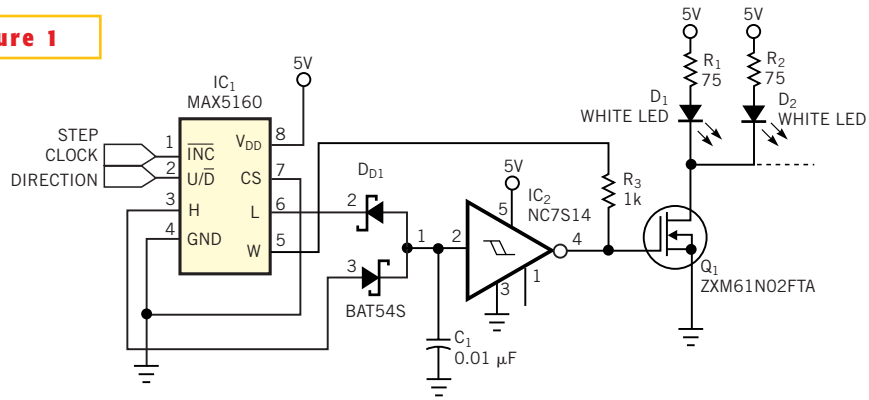


Figure 1



By controlling the duty cycle of a Schmitt trigger, you obtain 32 steps of brightness in an LED display.