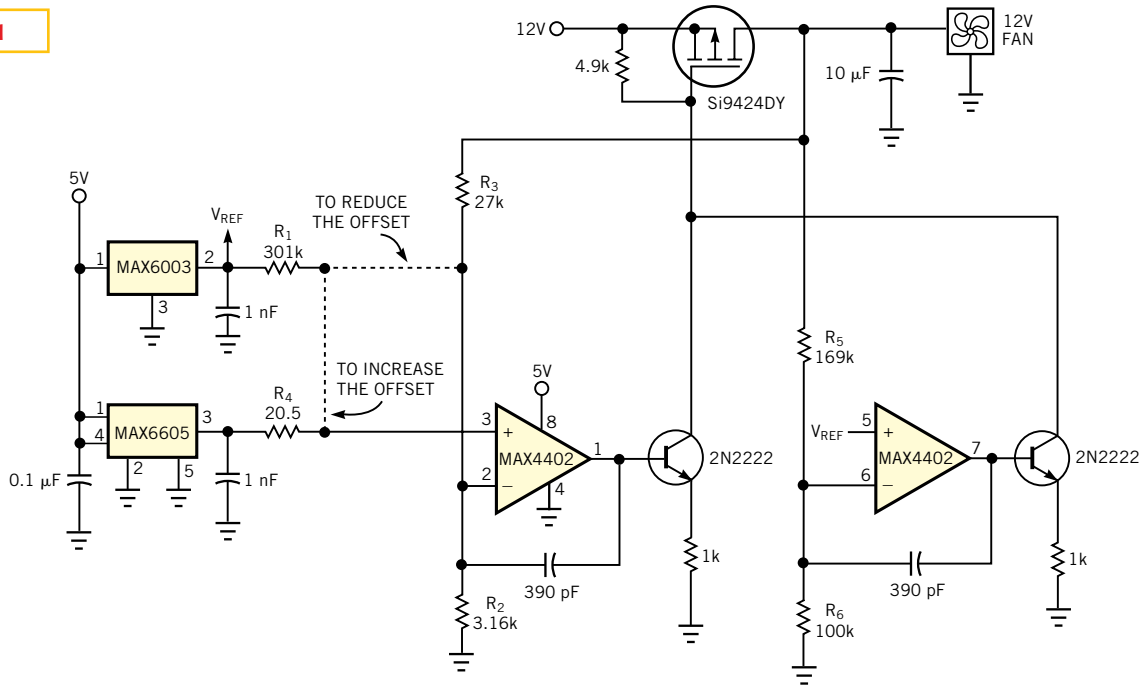


**Figure 1**



This circuit delivers a continuous and linear fan-control voltage that is proportional to temperature.