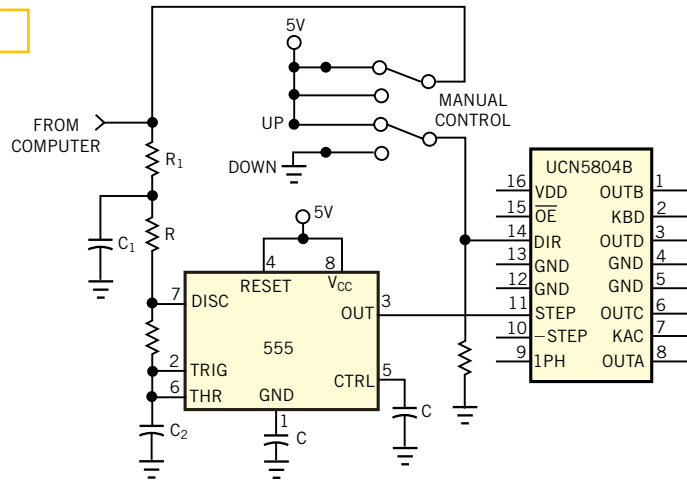


Figure 3



By changing the pushbutton in Figure 1 to a dpdt switch, you can make a stepper motor run clockwise and then counterclockwise without microprocessor control.