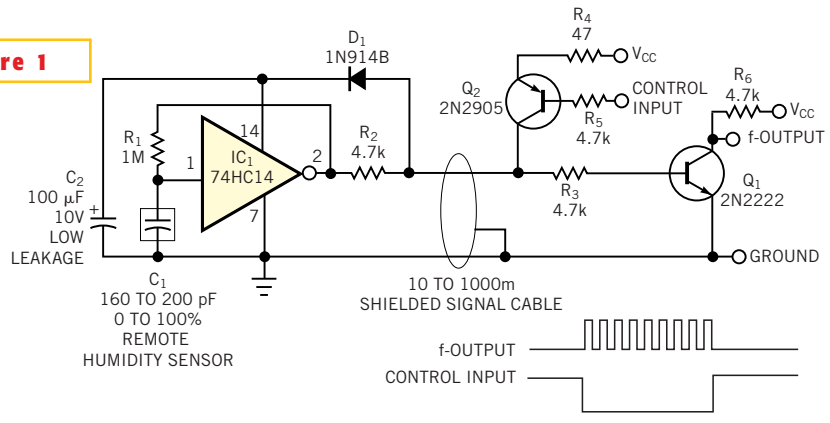


Figure 1



Eschew troublesome power sources for remote humidity sensors by using this simple scheme.