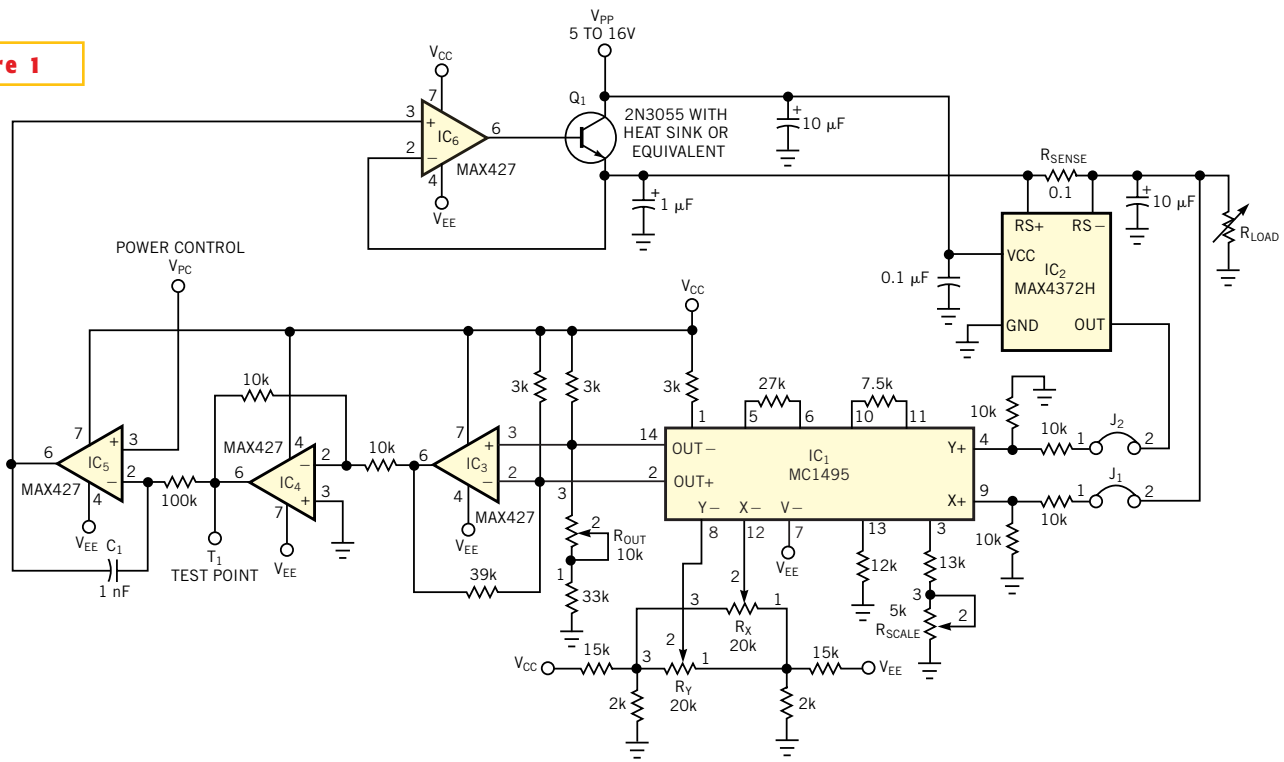


Figure 1



This regulated power source delivers fixed power to a varying load.