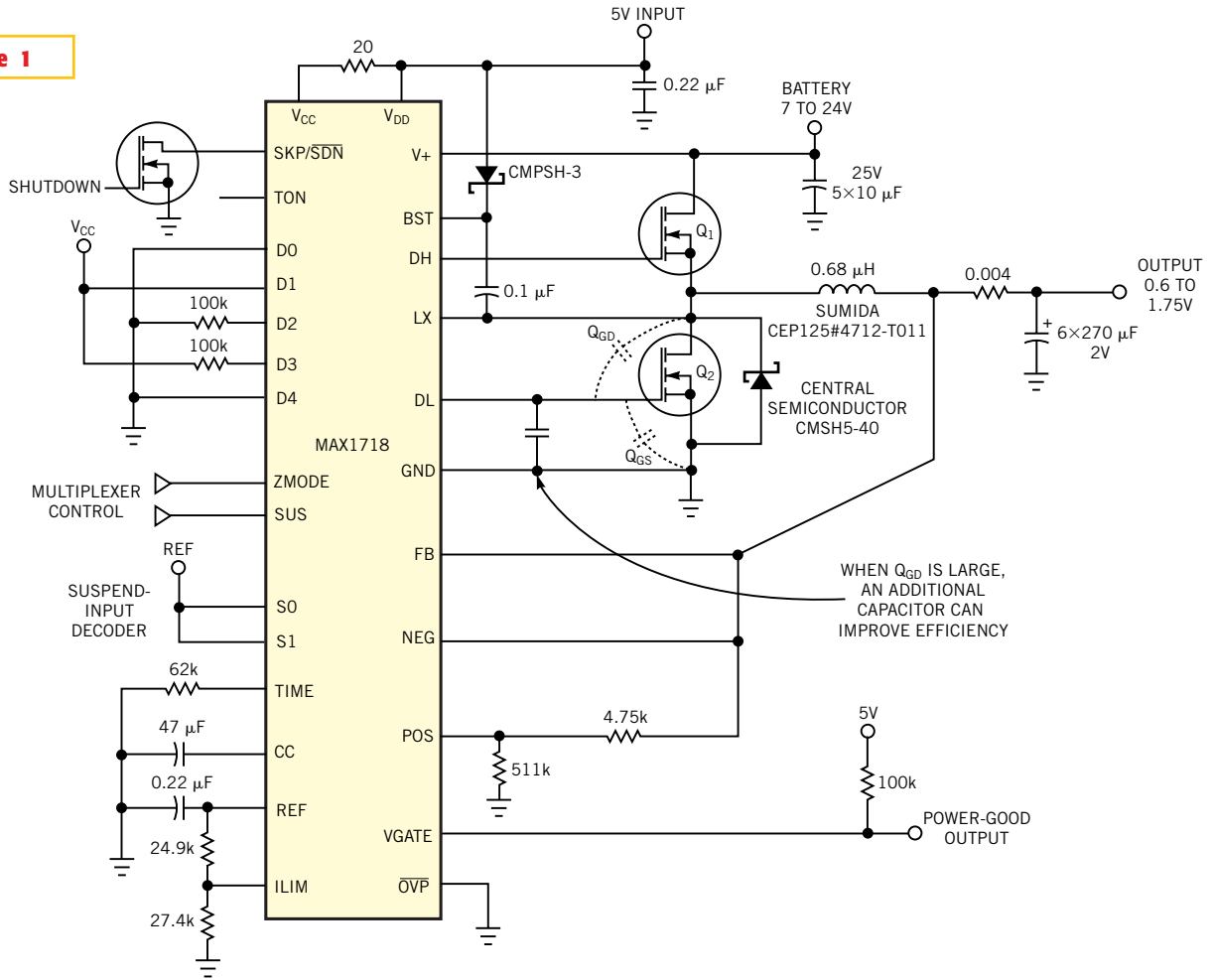


Figure 1



A buck-regulator IC drives external power MOSFETs to form a CPU-core power supply.