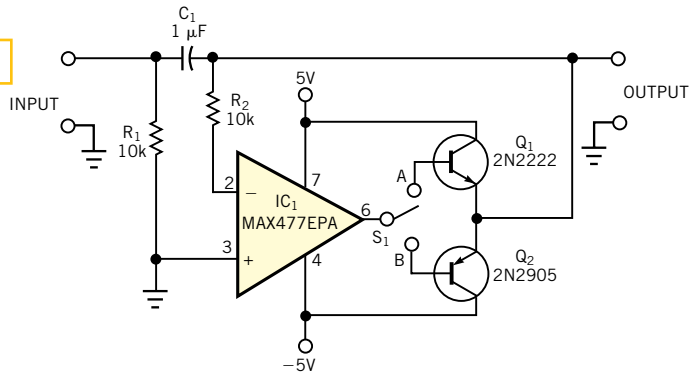


Figure 1



This simple circuit clamps either positive or negative signals to ground.