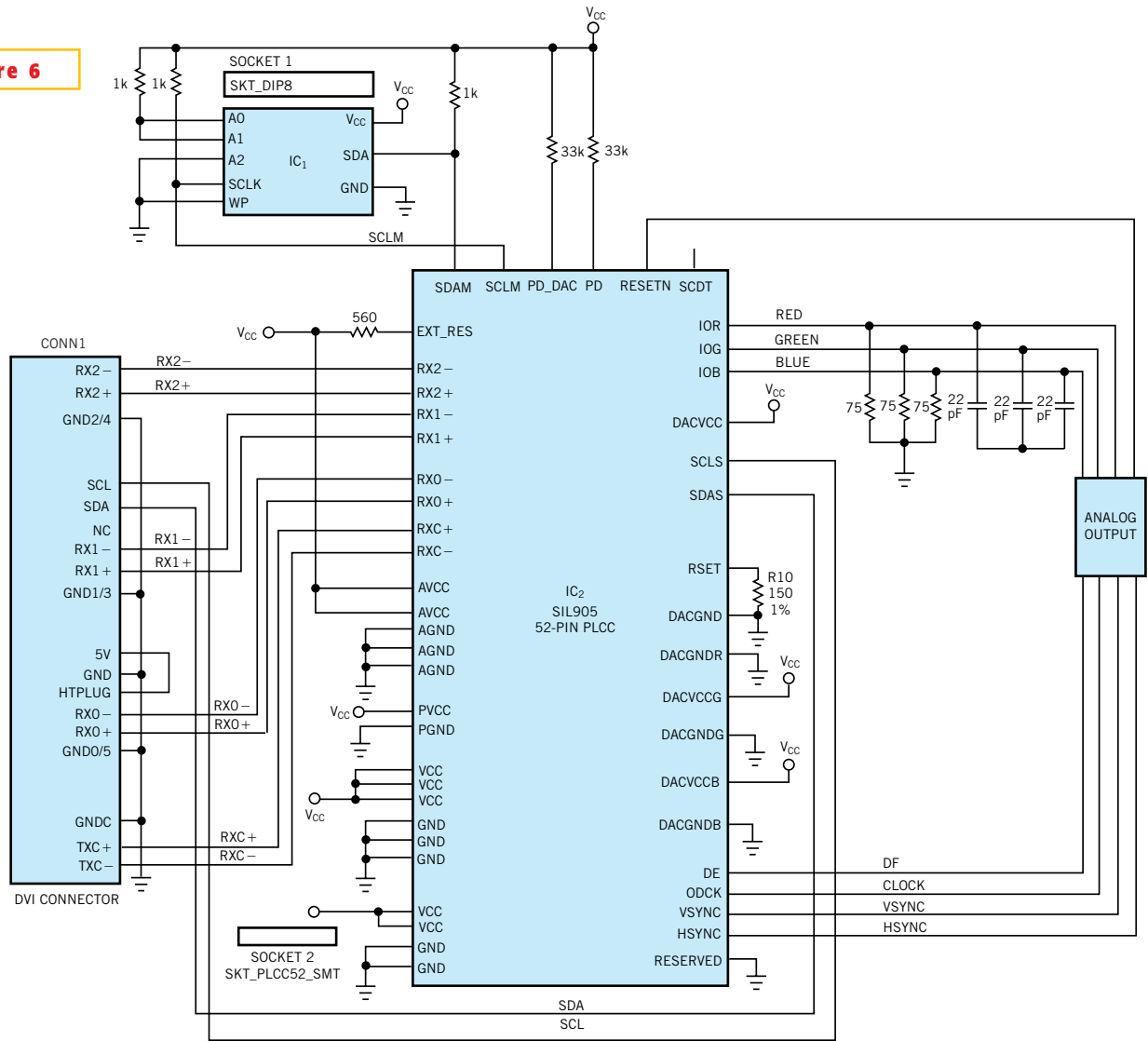


**Figure 6**



This schematic of the new circuitry needed for a digital CRT shows that the primary elements are the DVI connector (CONN1), the HDCP-monitor controller, and an EEPROM.