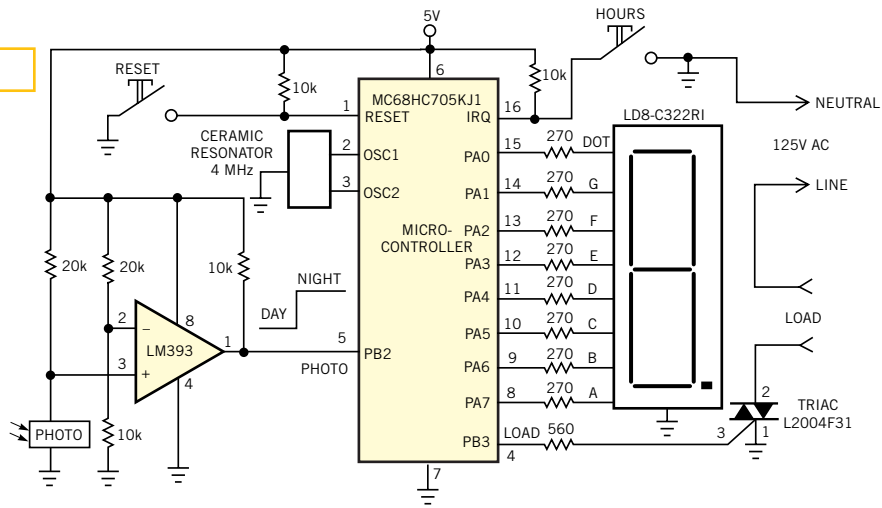


Figure 1



When it becomes dark, this circuit turns the load on for a predetermined interval.