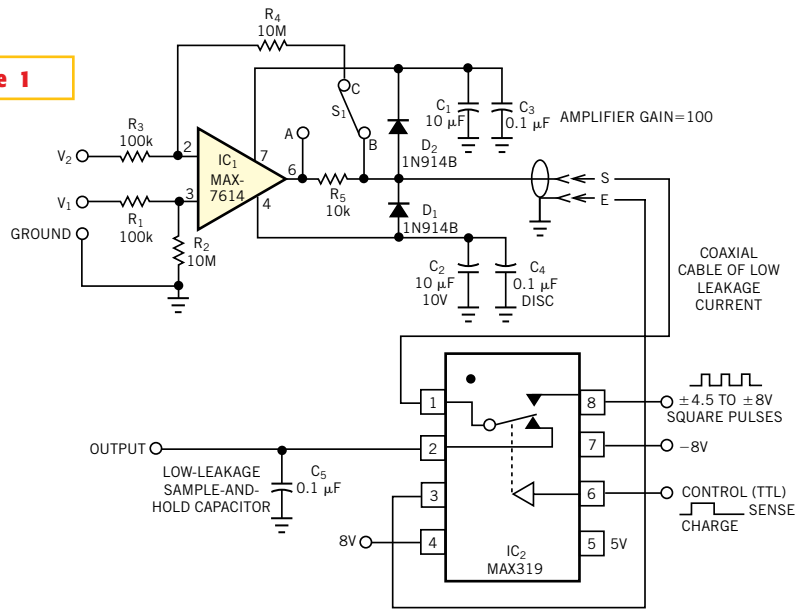


Figure 1



A high-impedance differential amplifier is useful in remote locations, because it requires no local power supply.