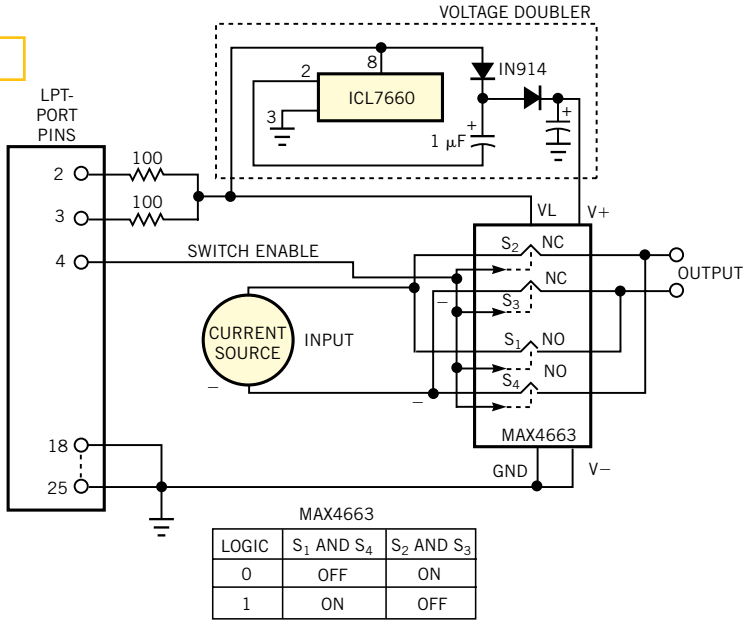


Figure 1



The LPT port powers a current-reversal circuit, using CMOS analog switches.