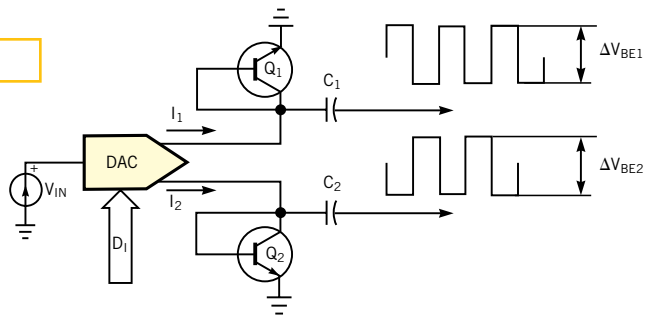


**Figure 1**



The DAC modulates transistors  $Q_1$  and  $Q_2$  with its two current outputs;  $\Delta V_{BE}$  is a linear function of absolute temperature.