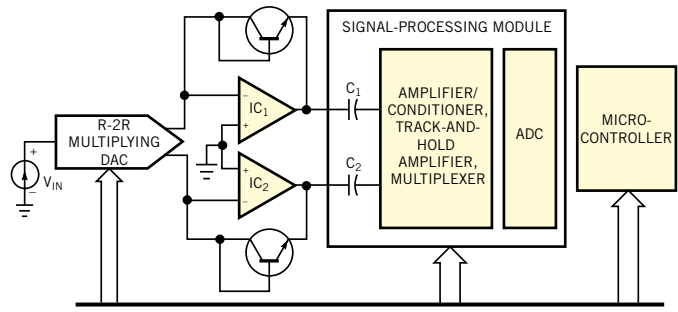


Figure 2



The two op amps, IC_1 and IC_2 , provide virtual grounds for both current outputs of the DAC.