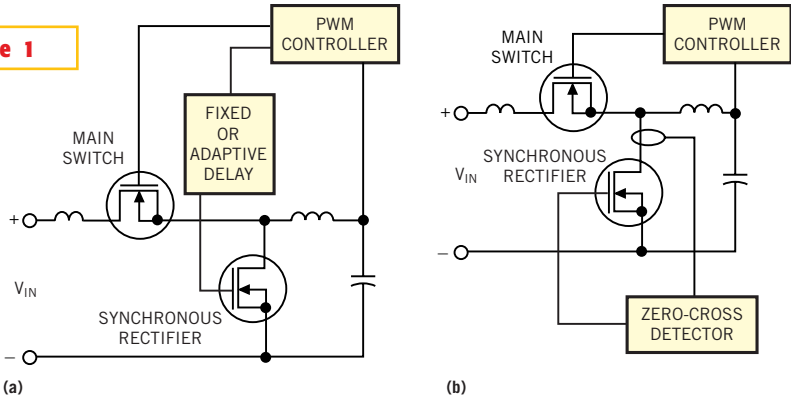


Figure 1



These topologies often exhibit a delayed turn-off of the synchronous rectifier, resulting in considerable reverse current. The current-reversal timing depends on loading conditions (a). The zero-cross current causes the rectifier to turn off too late (b).