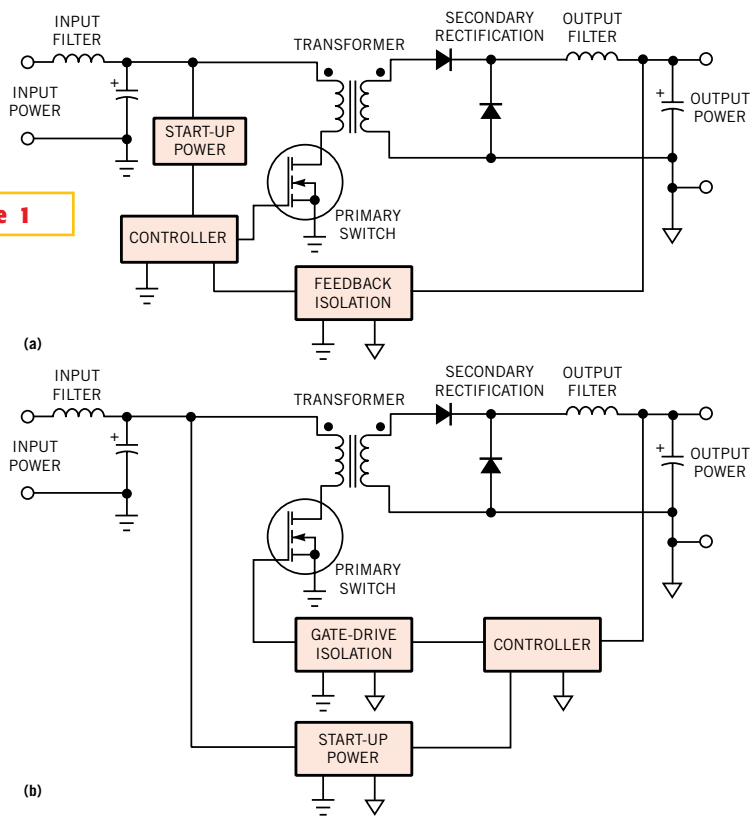


Figure 1



The reference for the controller can be the primary-side ground (a) or the secondary-side ground (b).