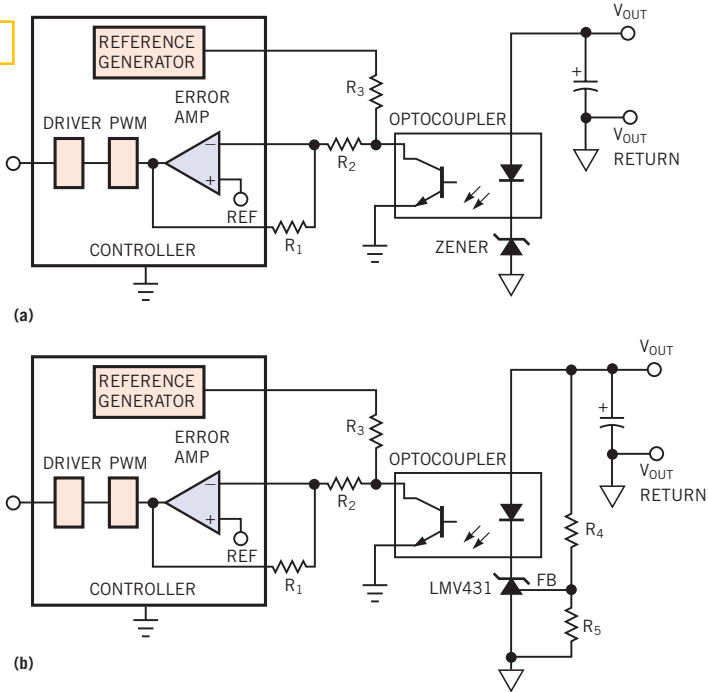


Figure 3



A simple approach to deriving the error signal uses a zener diode and an optocoupler (a). Replacing the zener diode with an LMV431 shunt regulator improves accuracy (b).