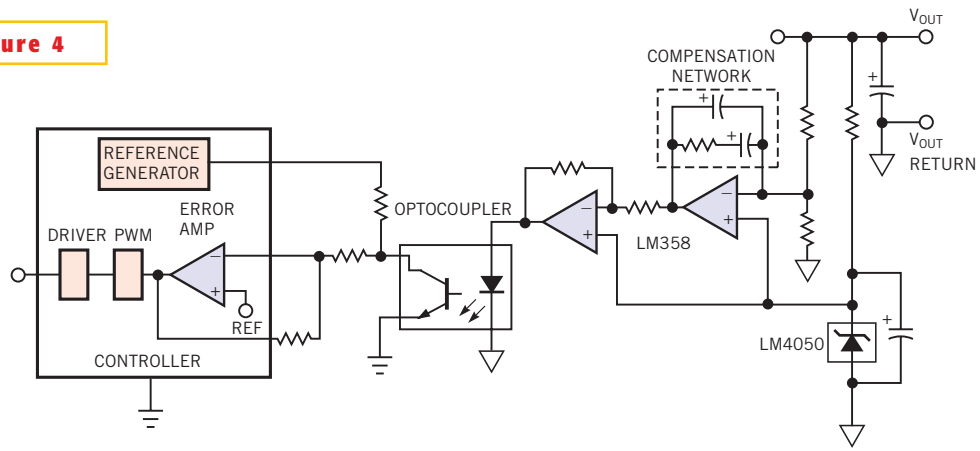


Figure 4



A dual op amp optimizes the loop compensation and ensures the proper polarity of the feedback signal.