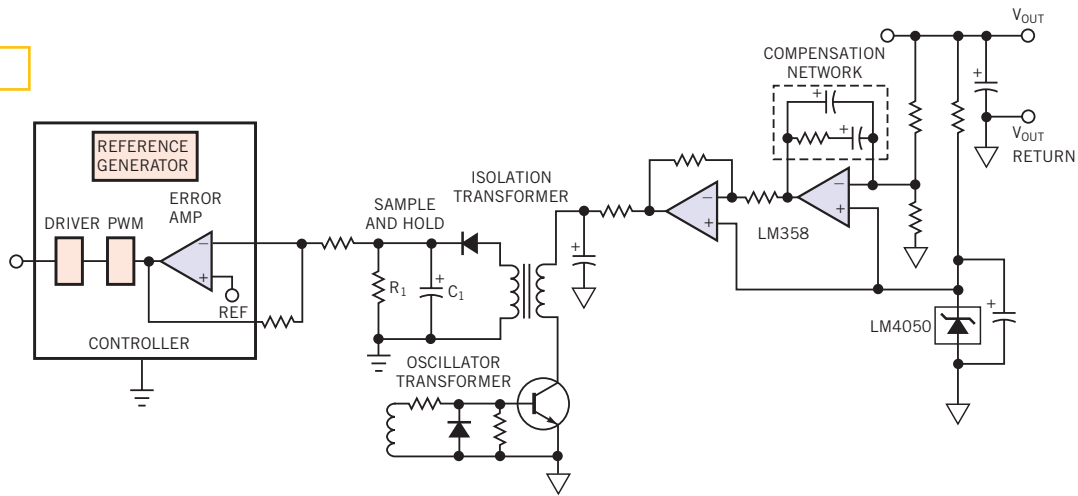


Figure 5



A winding from the main power transformer drives a switching (oscillator) transistor that periodically applies the error signal to the isolation transformer.