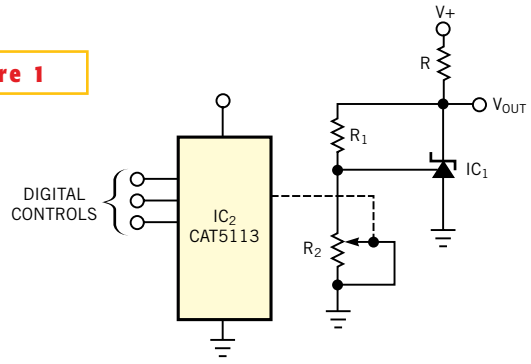


Figure 1



In this circuit, the potentiometer's temperature coefficient adversely affects that of V_{OUT}.